



PROJECT :- BUILDING PLAN
 PROPOSED G+3 STORED PRINCIPALLY RESIDENTIAL BUILDING AT SABINARA MAIN ROAD, R.S. DAG NOS.- 338(P) (P) PIN NOS.- 145, 150; L.R. DAG NOS.- 465, 466; L.R. KHATIAN NOS.- 2410; J.L. NO.- 01; SHEET NO.- 18; WARD NO.- 19; HOLDING NO.- 239; P.S.+ MOUZA- CHANDANNAGAR, UNDER CHANDERNAGORE MUNICIPAL CORPORATION; DISTRICT - HOOGHLY.

OWNER'S NAME:-

1. MR. GAUTAM SAHA ; S/O- LT. PRANKRISHNA SAHA .

TITLE :- STRUCTURE PLAN

DRG. NO.	PK/2024/19/CORP/AR-01	DRAWN BY	R.K.
SCALE		CHKD BY	P.K.
DATE	13.09.2024	APVD BY	
JOB NO.	PK/01		

DESIGNED BY STRAIGHT LINE CORPORATION
 ISSUE STATUS

AREA STATEMENT (AS PER PHYSICAL)
 LAND AREA:- (AS PER PHYSICAL)
 AREA OF THE PLOT :- 03 K. - 15 CH. - 08 SQ.FT. / 284.12 SQ.MT. / 2843 SQ.FT. / i.e. 0.065 ACRE.

COVERED AREA :-
 GROUND FLOOR COVERED AREA - 163.88 SQ.MT. (1764 SQ.FT.)
 TYPICAL (1ST- 3RD) FLOOR COVERED AREA - 163.88 SQ.MT. (1764 SQ.FT.) EACH (RESIDENTIAL)

TOTAL COVERED AREA - 655.52 SQ.MT. (7056 SQ.FT.)
 SERVICE AREA AT GROUND FLOOR - 22.95 SQ.MT. (247 SQ.FT.) (INCLUDING STAIR & LIFT)
 RESIDENTIAL AREA AT GROUND FLOOR - 55.18 SQ.MT. (594 SQ.FT.)
 PARKING AREA AT GROUND FLOOR - 29.73 SQ.MT. (320 SQ.FT.) [2 NOS.]
 STAIR COVER & LIFT MACHINE ROOM AREA - 27.41 SQ.MT. (295 SQ.FT.)
 OFF STREET CAR PARKING AREA - 25.00 SQ.MT. (269 SQ.FT.) [2 NOS.]
 PROPOSED HEIGHT OF THE BUILDING - 12.50 M. FROM GROUND LEVEL

NOTES.

- ALL DIMENSIONS ARE IN MM AND LEVELS ARE IN M. & FIGURED DIMENSIONS ARE TO BE FOLLOWED.
 - THIS DRG. SHALL BE READ IN CONJUNCTION WITH LATEST ARCH. DWG.
 - GRADE FOR REINFORCEMENT CONCRETE SHALL BE M-25 FOR FOUNDATION AND SUPER STRUCTURE.
 - ALL REINFORCEMENT SHALL BE OF H.Y.S.D. BARS Fe-500 CONFORMING TO IS-1786 - 2008.
 - UNLESS SPECIFIED OTHERWISE, NOT MORE THAN 50% OF THE BARS SHALL BE LAPPED / SPLICED AT ANY SECTION.
 - UNLESS SPECIFIED OTHERWISE, THE MINIMUM CLEAR CONCRETE COVER FOR PROTECTION OF REINFORCEMENT SHALL BE AS FOLLOWS:-
- | ITEMS | TOP |
|--------------------|-----|
| FOUNDATION | 50 |
| TIE / FLOOR BEAM | 30 |
| COLUMN | 40 |
| FLOOR / WAIST SLAB | 20 |
- UNLESS SPECIFIED OTHERWISE ALL HOOKS, BENDS, LAPS, SPLICES ETC. SHALL BE AS PER LATEST IS-456 AND OTHER RELEVANT INDIAN STAND.
 - ANY DISCREPANCY OBSERVED BETWEEN THIS STRUC. DWG. AND RELEVANT ARCH. DWG. SHALL BE BROUGHT TO THE NOTICE AND GET RECONCILED BEFORE EXECUTION.
 - THE NET BEARING PRESSURE FOR FOUNDATION DESIGN HAS BEEN KEPT WITHIN 8.0 T/M² AT 1.5 M. BELOW E.G.L.

DECLARATION OF STRUCTURAL ENGINEER.

I CERTIFY THAT THE STRUCTURAL DRAWING AND DESIGN OF BOTH THE FOUNDATION AND SUPERSTRUCTURE OF THE G+3 STORED BUILDING HAS BEEN MADE CONSIDERING THE SOIL TEST REPORT AS PER THE RULES AND REGULATIONS MADE UNDER THE ACT AND ALSO CONSIDERING ALL POSSIBLE LOADS, SEISMIC LOAD AND MOMENTS GENERATED BY THE PROPOSED STRUCTURE AS PER THE BUREAU OF INDIAN STANDARD AND NATIONAL BUILDING CODE OF INDIA AND CERTIFIED THAT IT IS SAFE AND STABLE IN ALL RESPECT AND THESE PROVISIONS SHALL BE ADHERED TO DURING THE CONSTRUCTION.

SIGNATURE OF STRUCTURAL ENGINEER.

DECLARATION OF L.B.S. / ARCHITECT

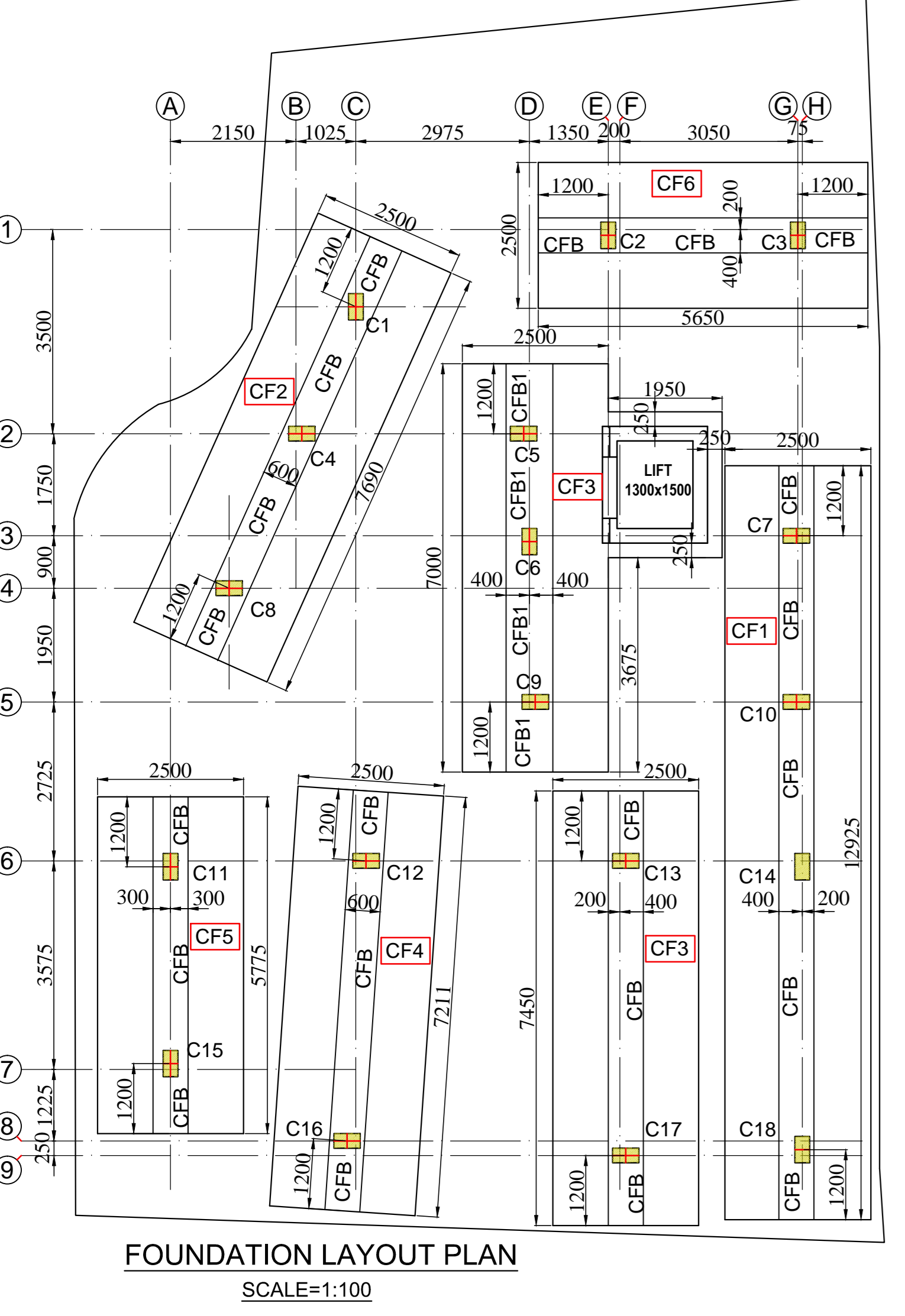
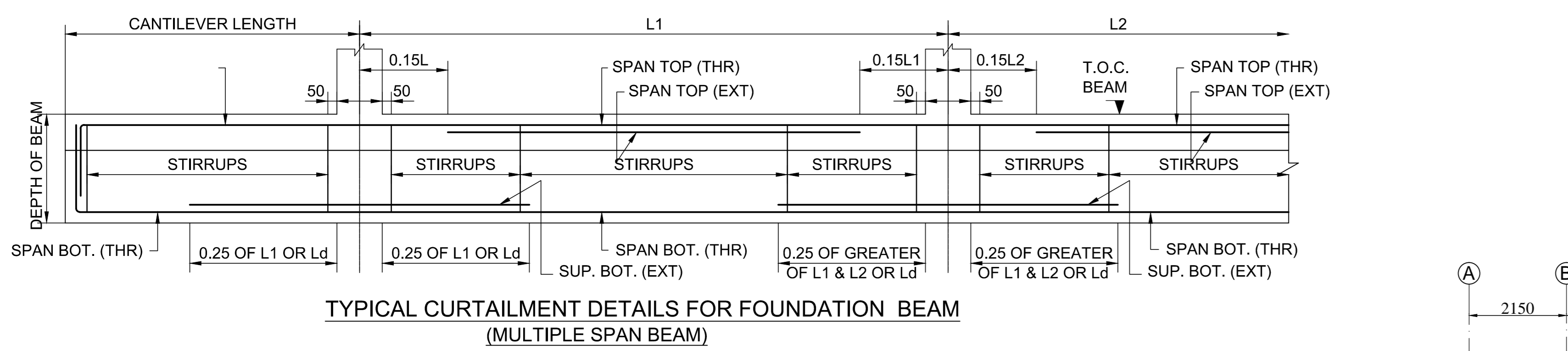
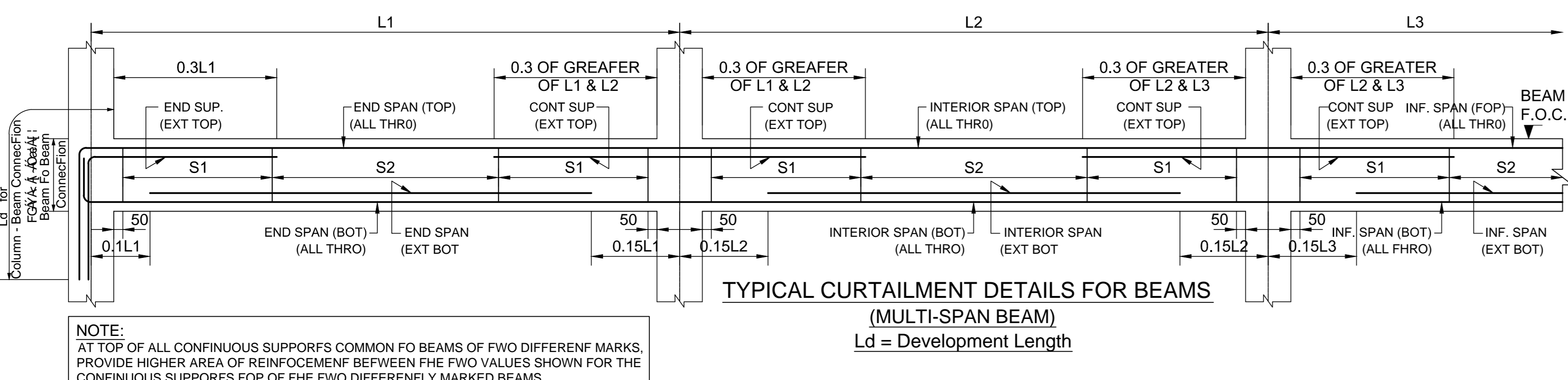
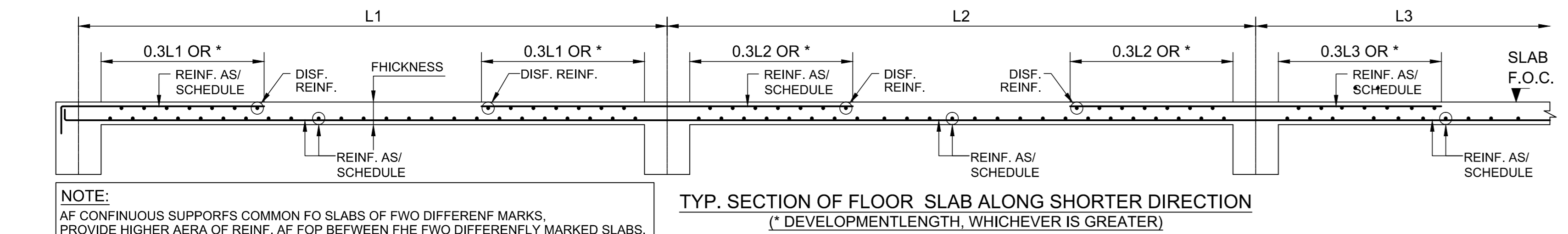
I CERTIFY THAT THE BUILDING PLAN HAS BEEN DRAWN UP AS PER PROVISION OF W.B. MUNICIPAL (BUILDING) RULE 2007 AS AMENDED FROM TIME TO TIME AND AS PER THE SITE CONDITION WHEREIN THE PLOT IS BOUNDED BY BOUNDARY WALLS AND PILLARS AND IT CONFIRMS WITH THE PLAN. IT IS A BUILDABLE SITE AND NOT A TANK OR FILLED UP TANK.

SIGNATURE OF L.B.S. / ARCHITECT

SIGNATURE OF OWNER

SHEET NO. THIS DRAWING IS A PRIVATE AND CONFIDENTIAL DOCUMENT AND IT MUST NOT BE COPIED OR LENT WITHOUT THE CONSENT OF M/S. STRAIGHT LINE

1



SCHEDULE OF COLUMNS

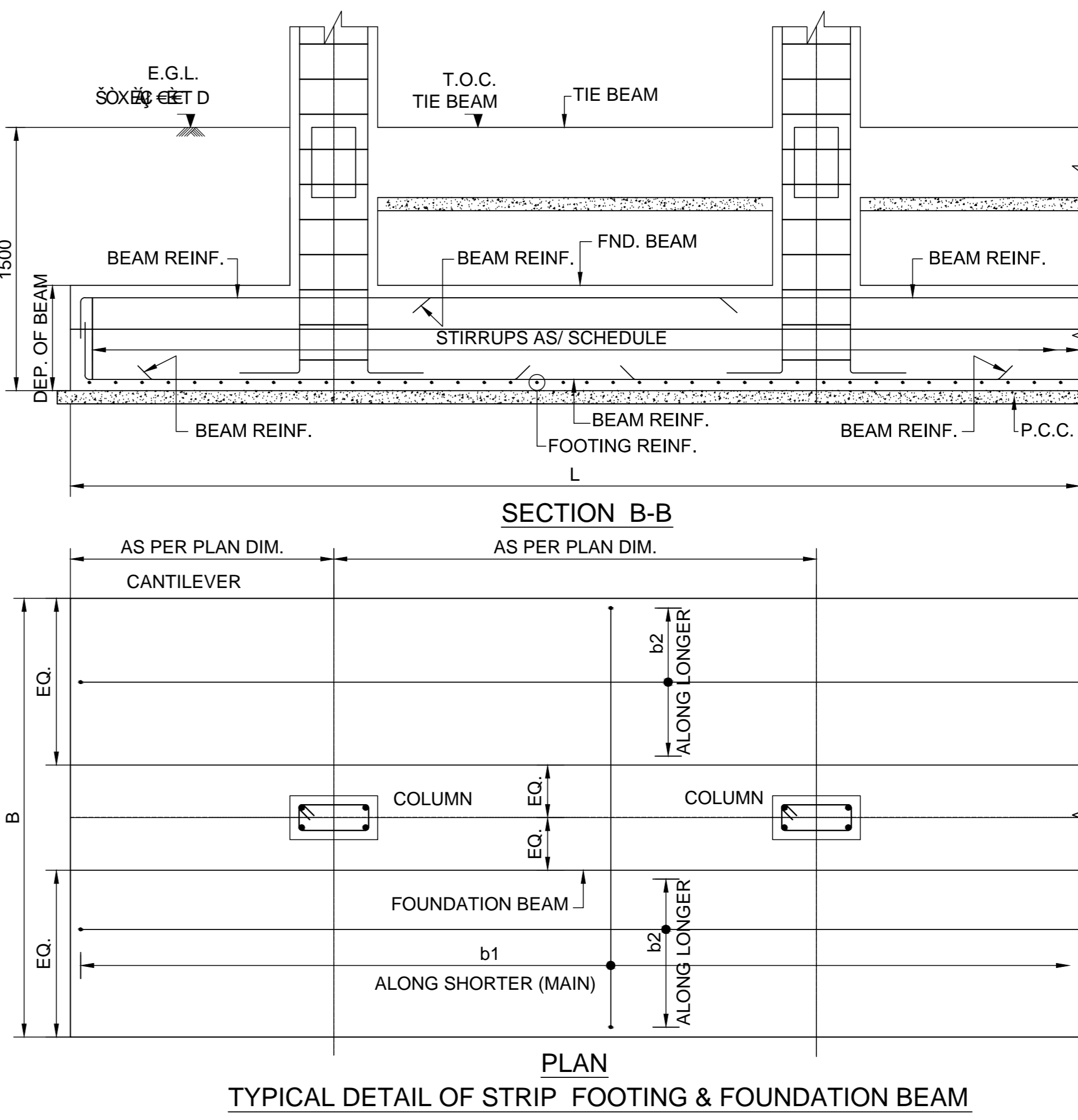
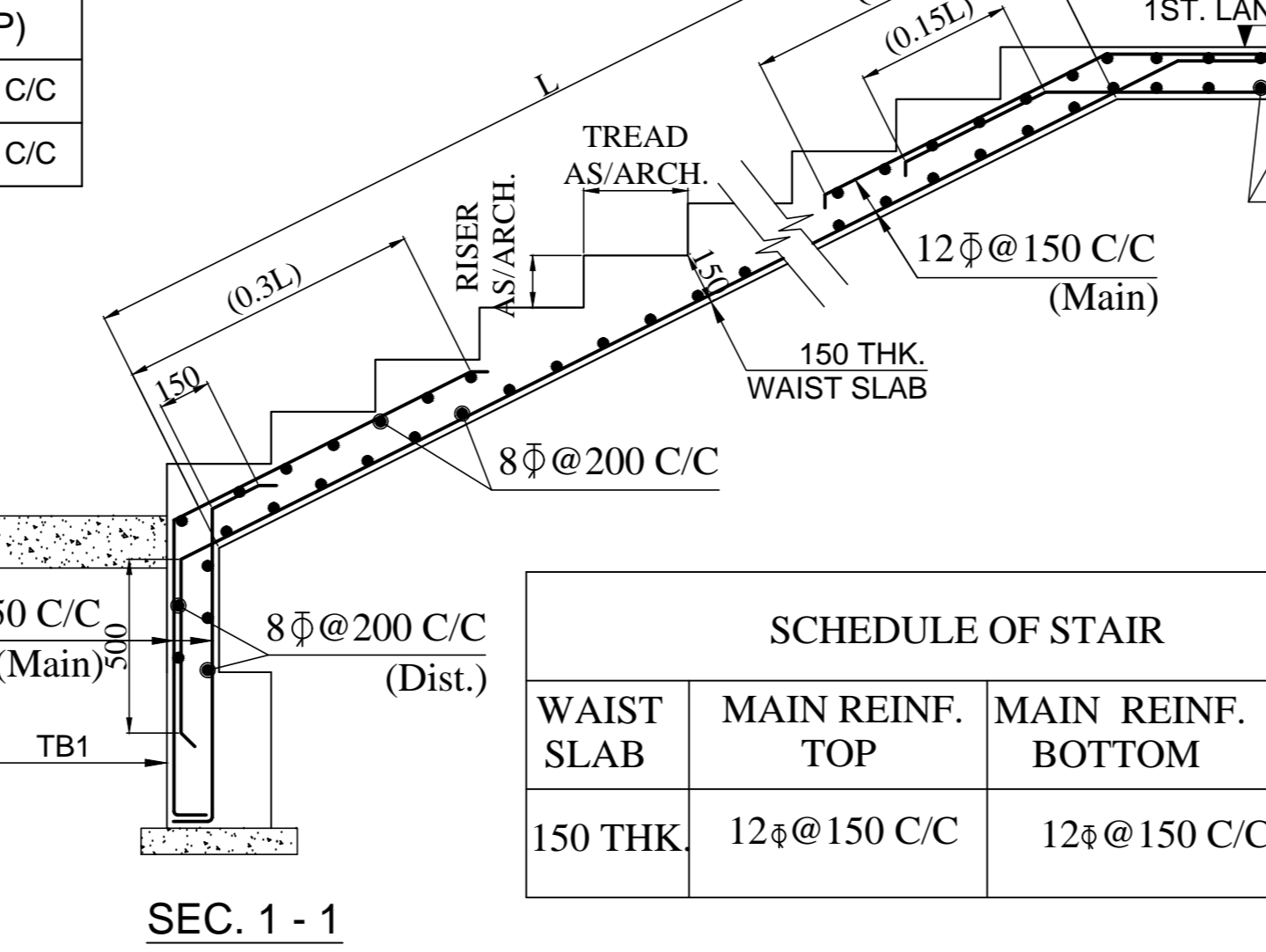
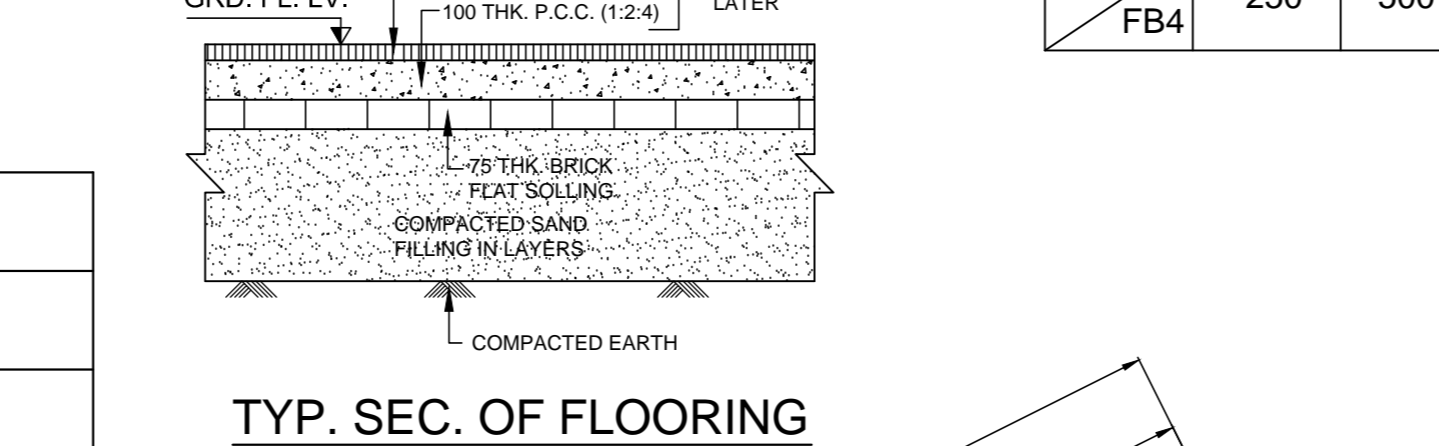
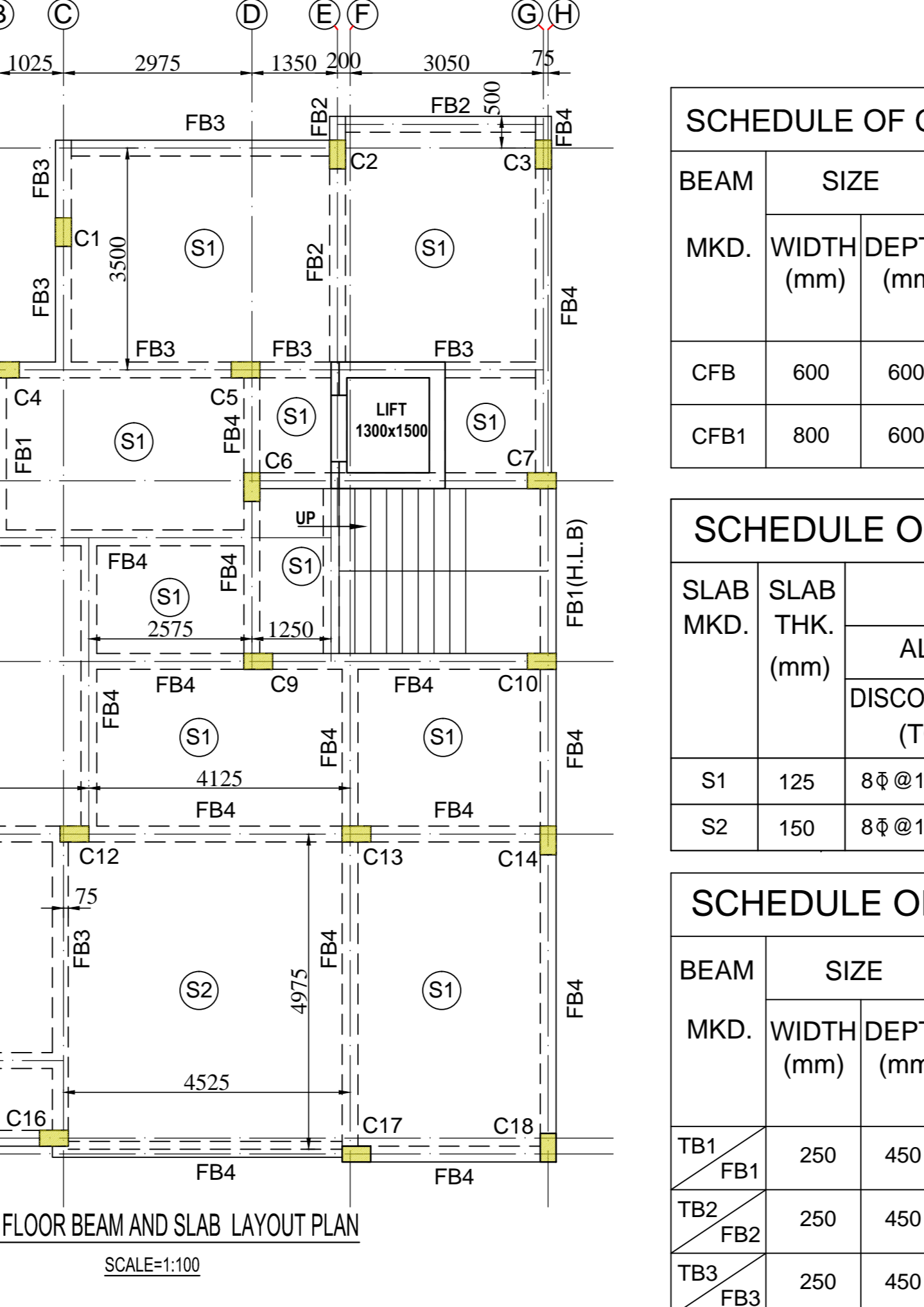
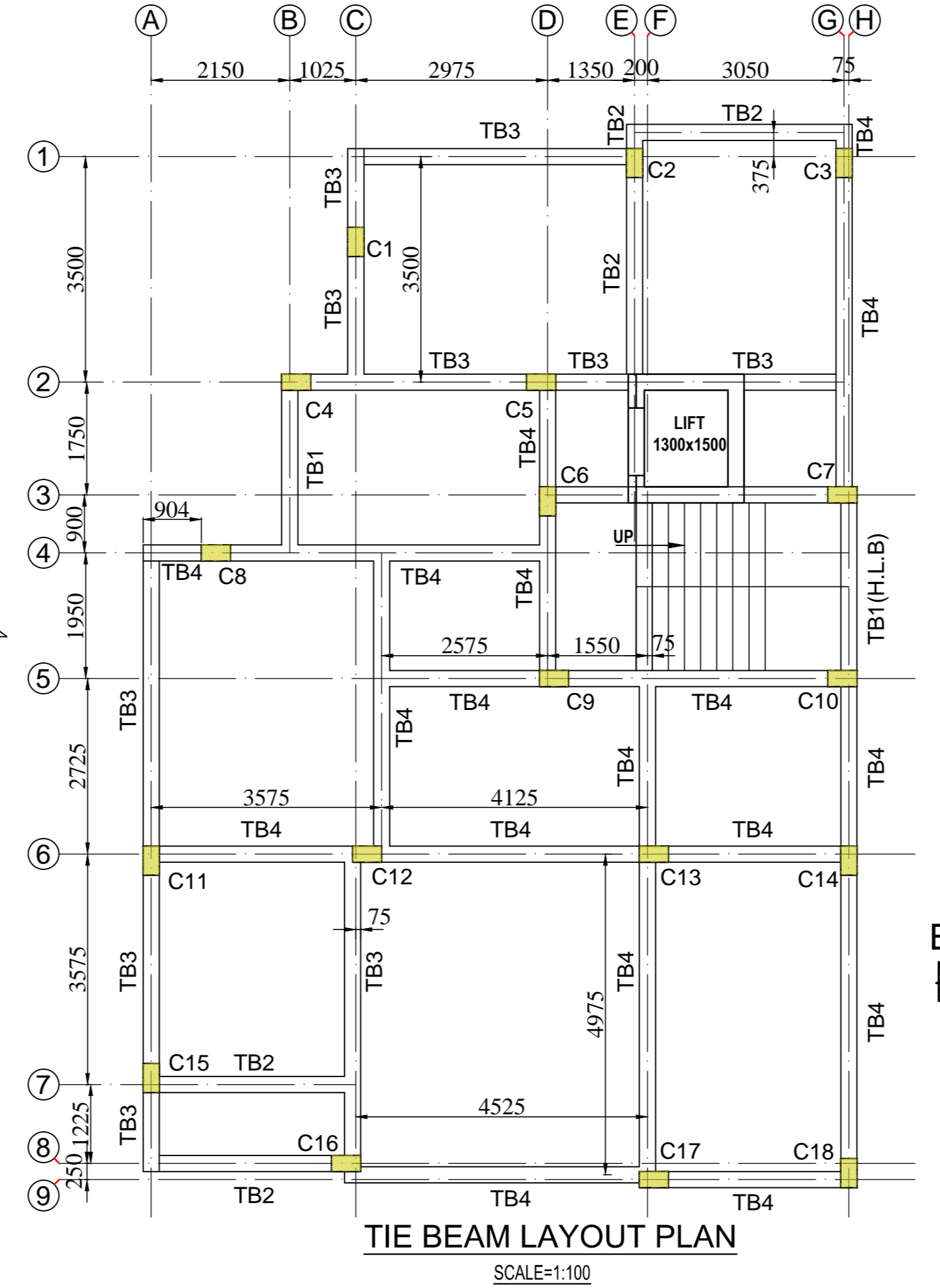
SIZES AND REINFORCEMENT	2ND FLOOR LEV. TO ROOF LEV.	2ND FLOOR LEV. TO ROOF LEV.	2ND FLOOR LEV. TO ROOF LEV.
4-16φ + 2-12φ 8φ LINKS @ 150/200 C/C (2 LINKS PER SET)	8-16φ 8φ LINKS @ 150/200 C/C (2 LINKS PER SET)	8-16φ + 2-12φ 8φ LINKS @ 150/200 C/C (3 LINKS PER SET)	8-16φ + 2-12φ 8φ LINKS @ 150/200 C/C (3 LINKS PER SET)
COL. MKD.	C1, C3, C6, C18	C2, C4, C7, C8, C10, C11, C14, C15, C17	C5, C6, C9, C12, C13

SCHEDULE OF SLABS

SLAB MKD.	SLAB THK. (mm)	REINFORCEMENT					
		ALONG SHORTER DIRECTION			ALONG LONGER DIRECTION		
		DISCON. SUP. (TOP)	SPAN (BOT.)	CONT. SUP. (TOP)	DISCON. SUP. (TOP)	SPAN (BOT.)	CONT. SUP. (TOP)
S1	125	8φ @ 125 C/C	8φ @ 125 C/C	8φ @ 125 C/C	8φ @ 125 C/C	8φ @ 125 C/C	8φ @ 125 C/C
S2	150	8φ @ 125 C/C	8φ @ 125 C/C	8φ @ 125 C/C	8φ @ 125 C/C	8φ @ 125 C/C	8φ @ 125 C/C

SCHEDULE OF FOOTINGS

FTG. TYPE	FND. DEPTH	FOOTING SIZE		FOOTING SLAB THK. (D1) (mm)	FOOTING REINFORCEMENT BOTTOM	
		L (mm)	B (mm)		(Along Long) b2	(Along Short) b1
CF1	1500	12925	2500	400	10φ @ 150 C/C	12φ @ 150 C/C
CF2	1500	7690	2500	400	10φ @ 150 C/C	12φ @ 150 C/C
CF3	1500	7450	2500	400	10φ @ 150 C/C	12φ @ 150 C/C
CF4	1500	7211	2500	400	10φ @ 150 C/C	12φ @ 150 C/C
CF5	1500	5775	2500	400	10φ @ 150 C/C	12φ @ 150 C/C
CF6	1500	5650	2500	400	10φ @ 150 C/C	12φ @ 150 C/C
CF	1500	AS/DWG.	500	500	10φ @ 150 C/C	12φ @ 150 C/C



SCHEDULE OF COMBINED FOUNDATION BEAMS

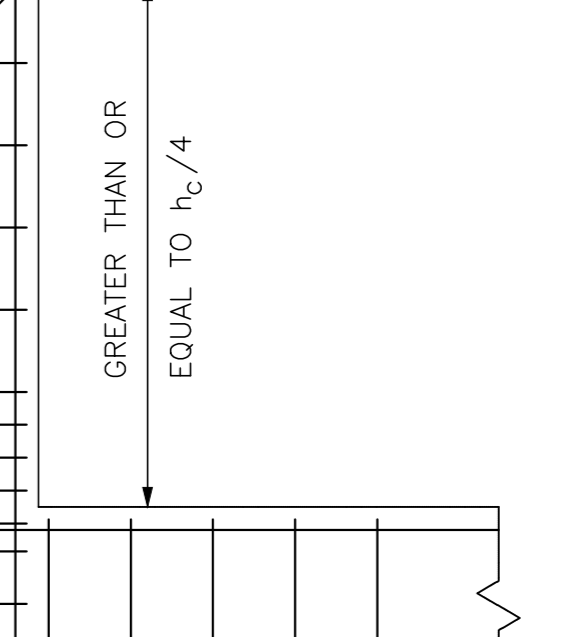
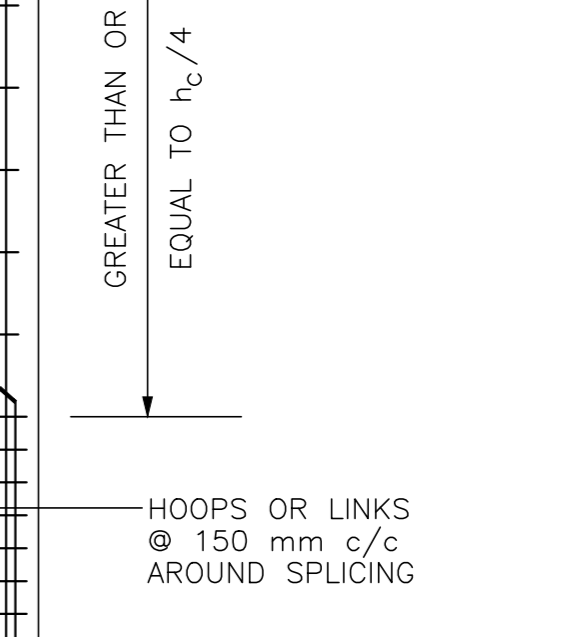
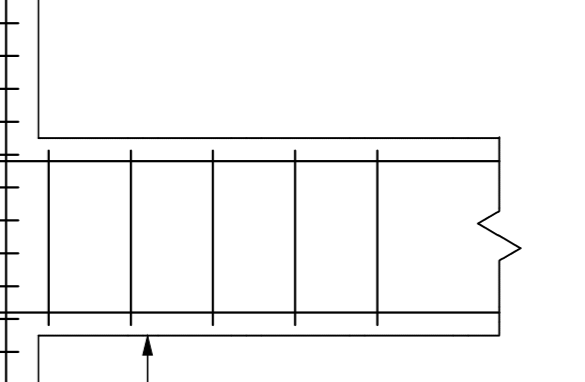
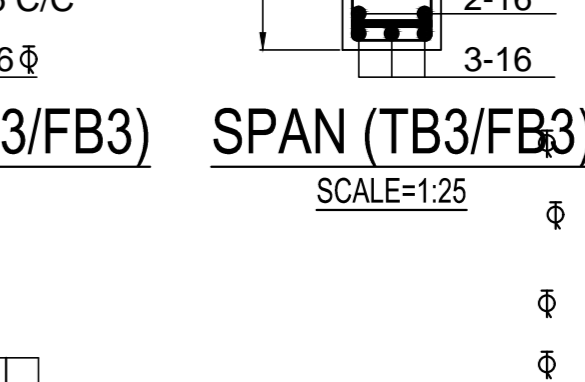
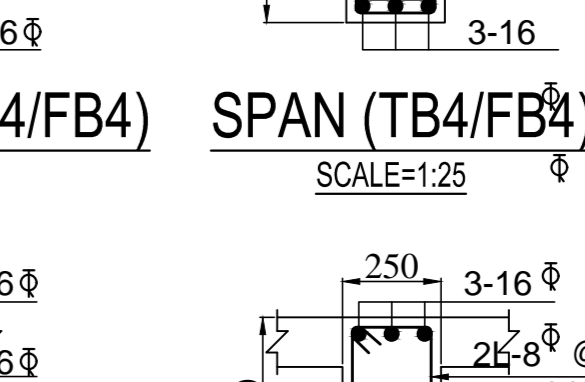
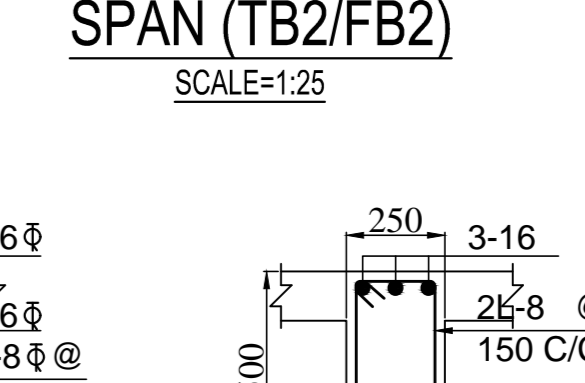
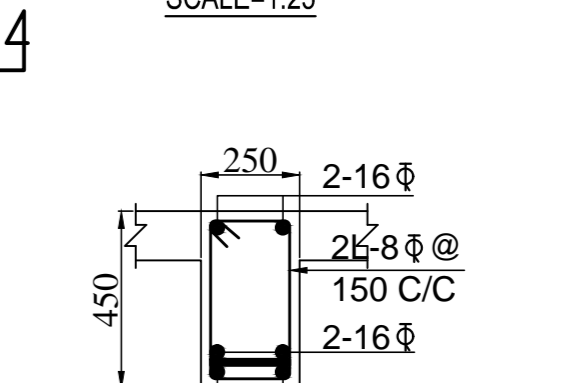
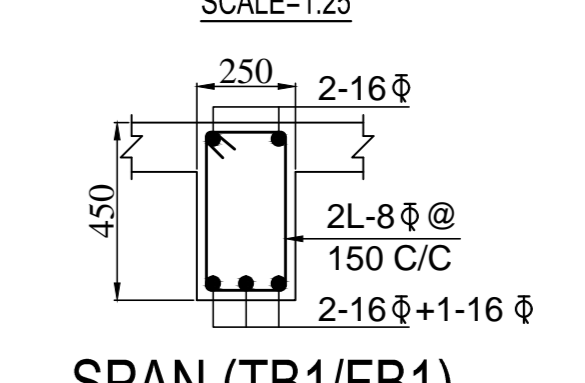
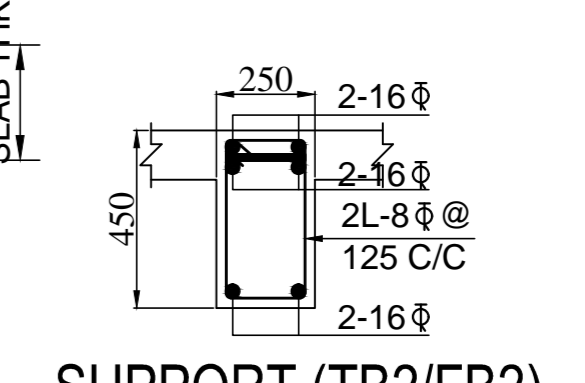
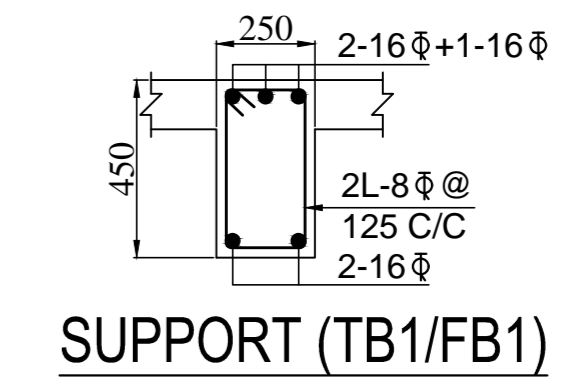
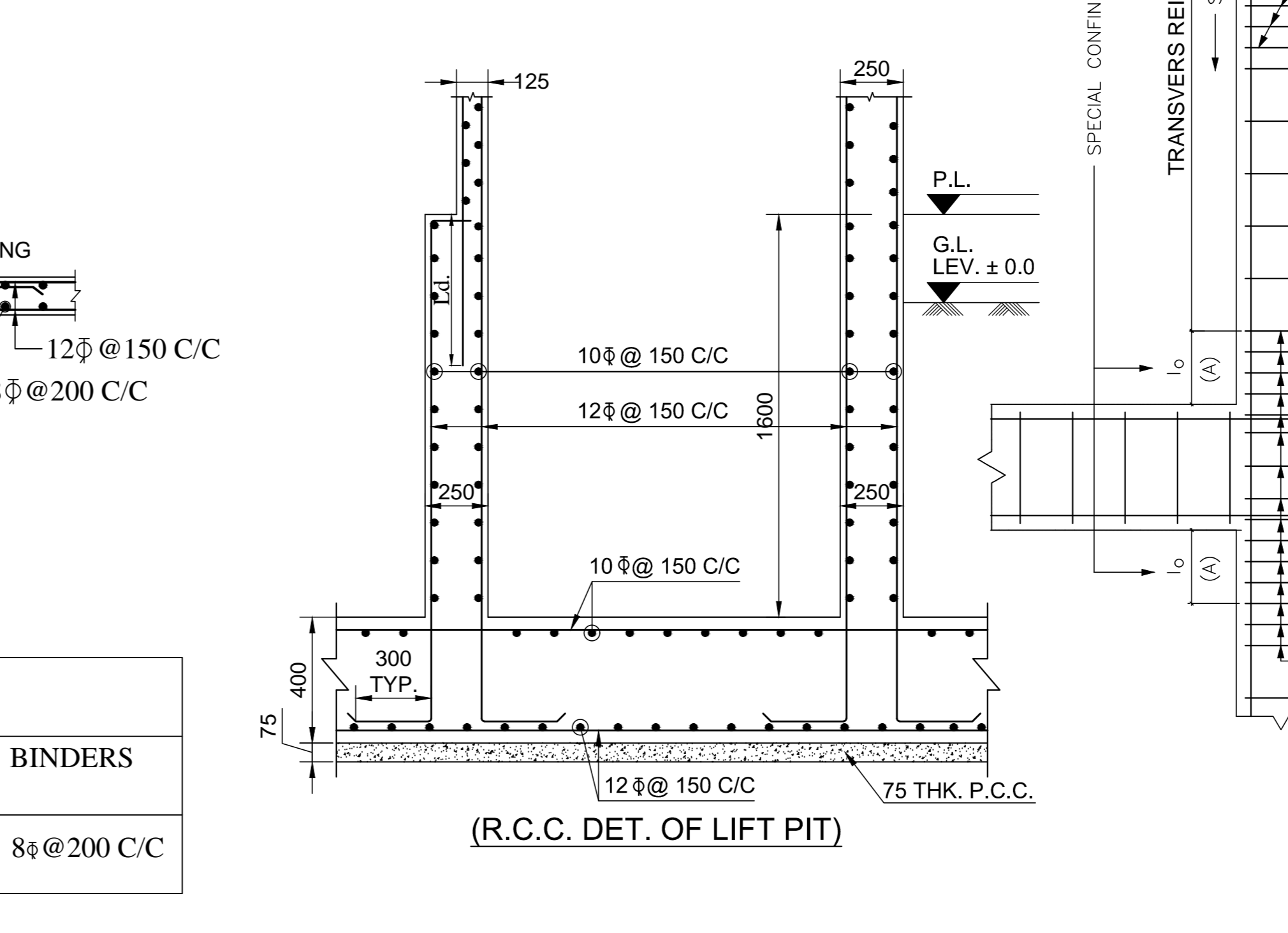
BEAM MKD.	WIDTH (mm)	DEPTH (mm)	REINFORCEMENT								
			CANTILEVER		SPAN		CONT. SUPP.		STIRRUPS		
			TOP	BOTT.	TOP	BOTT.	TOP	BOTT.	SUPP.	SPAN	CANTI.
CFB	600	600	4-16φ	4-16φ	4-16φ	4-16φ	4-16φ	4-16φ	4L-8φ @ 150 C/C	4L-8φ @ 150 C/C	4L-8φ @ 150 C/C
CFB1	800	600	4-16φ	4-16φ	4-16φ	4-16φ	4-16φ	4-16φ	4L-8φ @ 150 C/C	4L-8φ @ 150 C/C	4L-8φ @ 150 C/C

SCHEDULE OF SLABS

SLAB MKD.	SLAB THK. (mm)	REINFORCEMENT					
		ALONG SHORTER DIRECTION			ALONG LONGER DIRECTION		
		DISCON. SUP. (TOP)	SPAN (BOTT.)	CONT. SUP. (TOP)	DISCON. SUP. (TOP)	SPAN (BOTT.)	CONT. SUP. (TOP)
S1	125	8φ @ 125 C/C	8φ @ 125 C/C	8φ @ 125 C/C	8φ @ 125 C/C	8φ @ 125 C/C	8φ @ 125 C/C
S2	150	8φ @ 125 C/C	8φ @ 125 C/C	8φ @ 125 C/C	8φ @ 125 C/C	8φ @ 125 C/C	8φ @ 125 C/C

SCHEDULE OF BEAMS

BEAM MKD.	WIDTH (mm)	DEPTH (mm)	REINFORCEMENT							
			END SUPP.		SPAN		CONT. SUPP.		STIRRUPS	
			TOP	BOTT.	TOP	BOTT.	TOP	BOTT.	SUPP.	SPAN
TB1	250	450	2-16φ	1-16φ	2-16φ	2-16φ	2-16φ	2-16φ	2L-8φ @ 125 C/C	2L-8φ @ 150 C/C
TB2	250	450	2-16φ	2-16φ	2-16φ	2-16φ	2-16φ	2-16φ	2L-8φ @ 125 C/C	2L-8φ @ 150 C/C
TB3	250	450	3-16φ	2-16φ	3-16φ	2-16φ	3-16φ	3-16φ	2L-8φ @ 125 C/C	2L-8φ @ 150 C/C
TB4	250	500	3-16φ	3-16φ	3-16φ	3-16φ	3-16φ	3-16φ	2L-8φ @ 125 C/C	2L-8φ @ 150 C/C



SCHEDULE OF STAIR

WAIST SLAB	MAIN REINF. TOP	MAIN REINF. BOTTOM	BINDERS
150 THK.	12φ @ 150 C/C	12φ @ 150 C/C	8φ @ 200 C/C